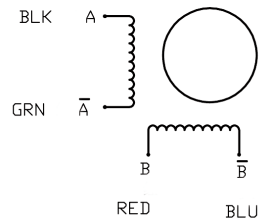
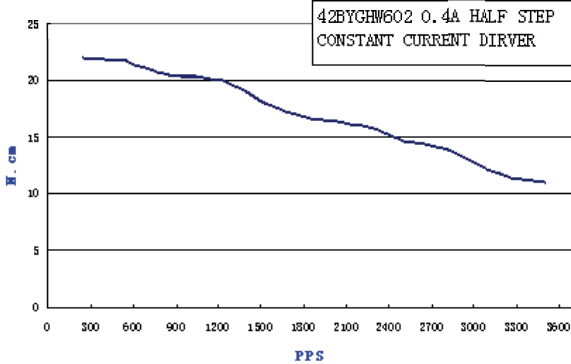
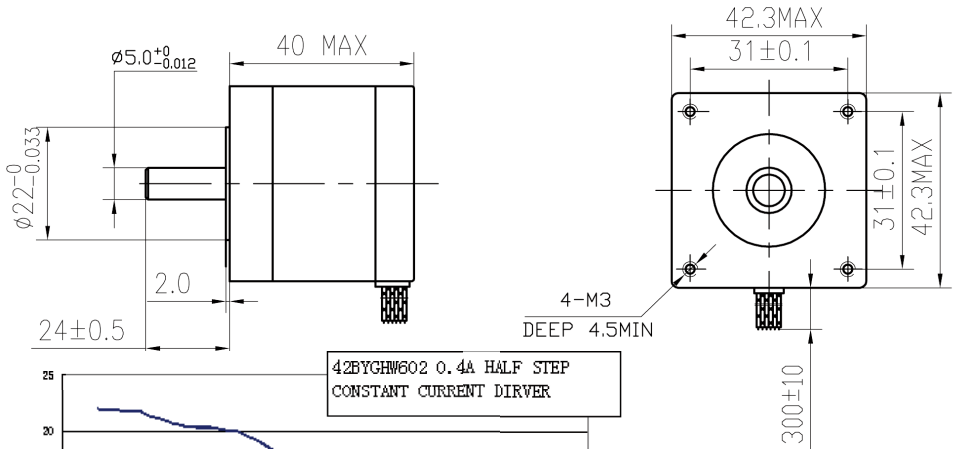


# Schrittmotor PSM42BYGHW603



PHASE	2 PHASE
STEP ANGLE	1.8 ± 5% ° /STEP
VOLTAGE	12V
CURRENT	0.4 A/PHASE
RESISTANCE	30 ± 10% Ω/PHASE
INDUCTANCE	40 ± 20% mH/PHASE
HOLDING TORQUE	38 N.cm Min
DETENT TORQUE	2.2 N.cm Max
INSULATION CLASS	B
LEAD STYLE	AWG26 UL1007
ROTOR TORQUE	54 g.cm <sup>2</sup>