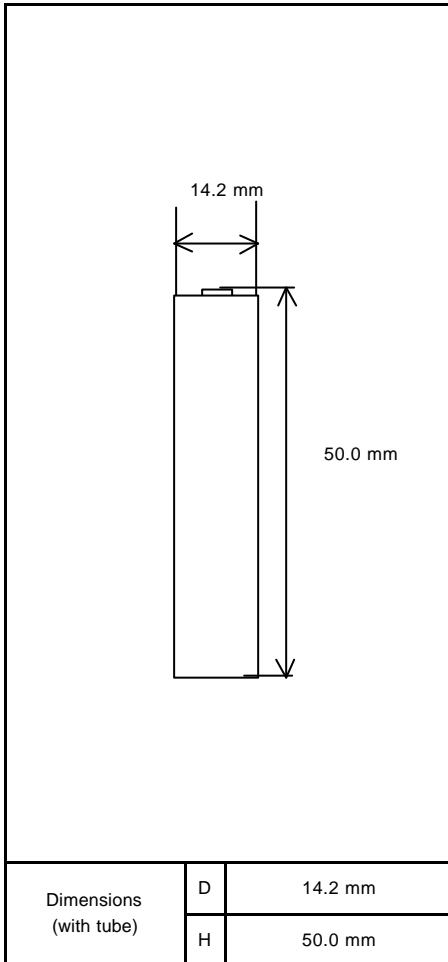


Specifications

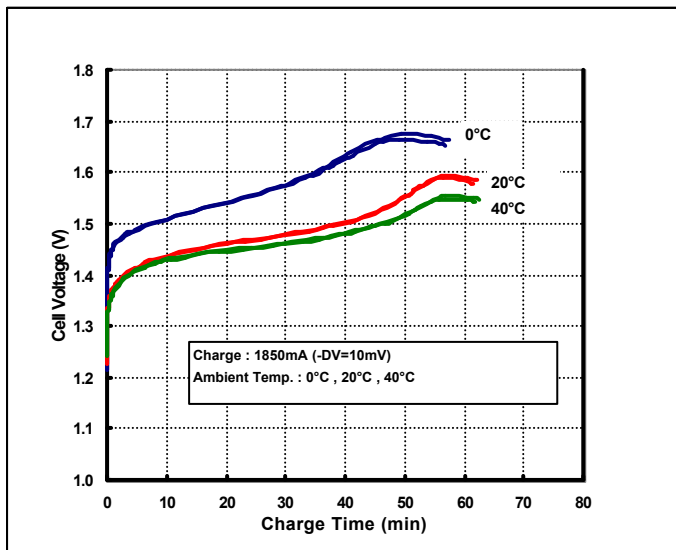


Type : Nickel-Metal Hydride Battery		Size : AA Consumer Type
Capacity ¹⁾	Typical	1850mAh
	Minimum	1750mAh
Nominal Voltage		1.2V
Charging Current x Time	Fast Charge ²⁾	1850 mA x about 1.1h
Ambient Temp.	Charge Condition	Fast Charge ²⁾ 0°C - 40°C
	Discharge Condition 0°C - 50°C	
	Storage Condition	- 30days
30 - 90days		-20°C - 40°C
90days - 1year		-20°C - 30°C
Internal Impedance ³⁾ (after discharge to E.V.=1.0V)		About 25m ohm(at
Weight ⁴⁾		About 28 g
Size ⁴⁾ : (Diameter) x (Height)		14.2(D) x 50.0(H) mm

- 1) Charge : 185mA x 16h, Discharge : 370mA (E.V.=1.0V) at 20°C
- 2) Use recommended charging system.
- 3) After a few charge and discharge cycles under the above 1) condition.
- 4) With tube.

Typical Characteristics

Charge



Discharge

