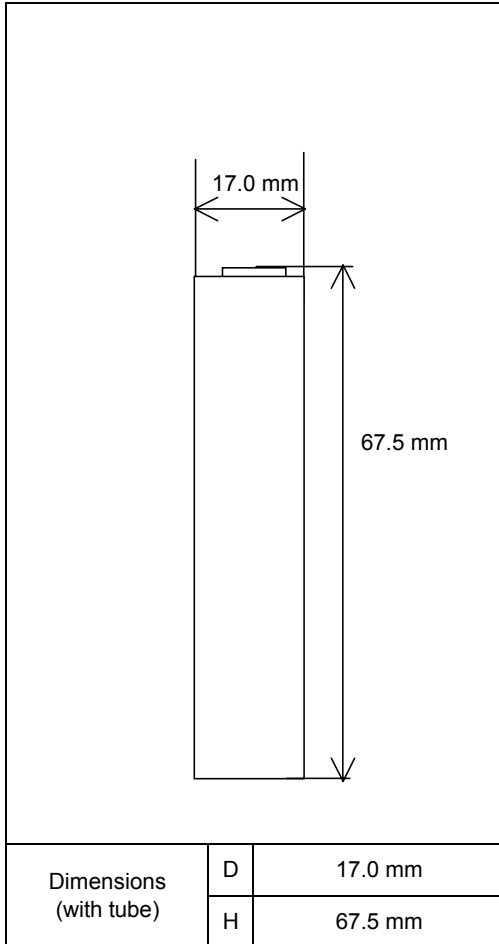




## Cell Type HR-4/3AU

### Specifications



Type : Nickel-Metal Hydride Battery		Size : 4/3A	
Capacity <sup>1)</sup>	Typical	4000mAh	
	Minimum	3600mAh	
Nominal Voltage		1.2V	
Charging Current x Time	Fast Charge <sup>2)</sup>	3000mA x about 1.5h	
Ambient Temp.	Charge Condition	Fast Charge <sup>2)</sup>	
	Discharge Condition		
	Storage Condition	- 30days	-20°C - 50°C
		30 - 90days	-20°C - 40°C
90days - 1year		-20°C - 30°C	
Internal Impedance <sup>3)</sup> (after discharge to E.V.=1.0V)		About 20mΩ(at 1000Hz)	
Weight <sup>4)</sup>		About 55 g	
Size <sup>4)</sup> : (Diameter) x (Height)		17.0(D) x 67.5(H) mm	

1) Charge : 400mA×16h, Discharge : 800mA(E.V.=1.0V) at 20°C

2) Use recommended charging system.

3) After a few charge and discharge cycles under the above 1) condition.

4) With tube.