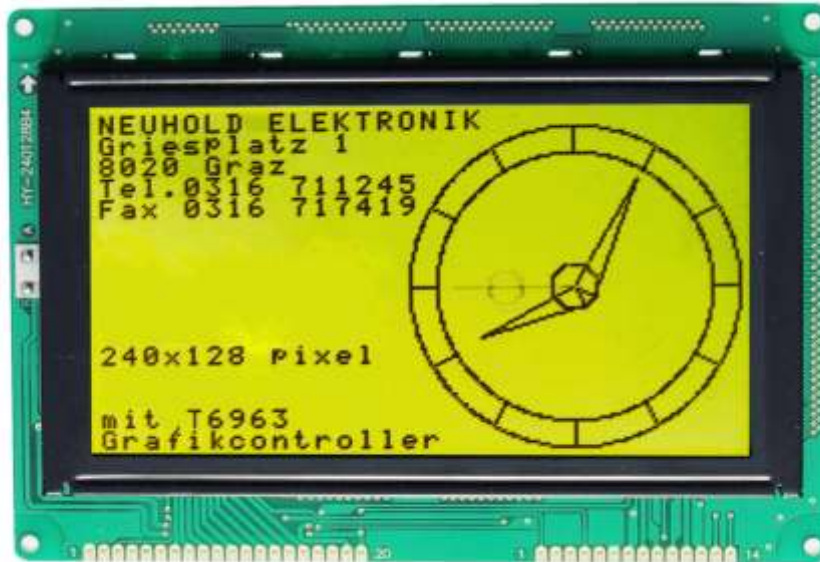
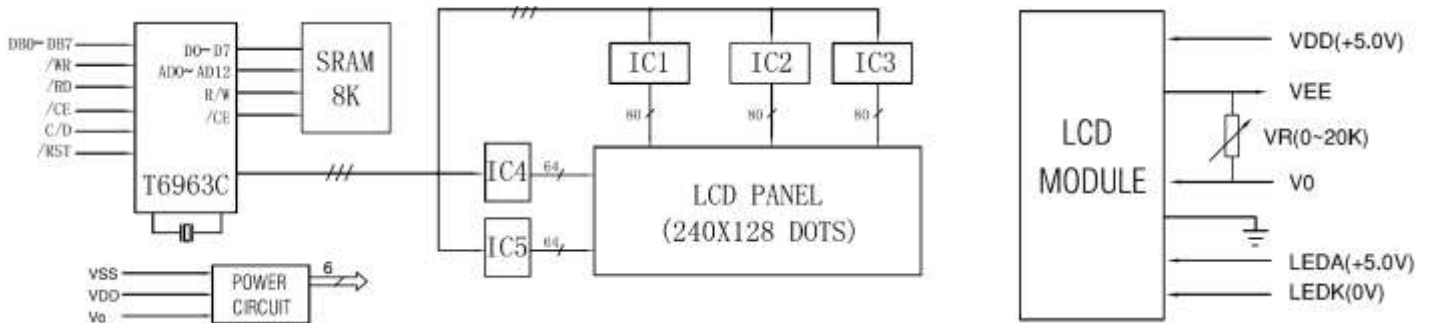


### Grafikdisplay HY-240128B-202



Grafikdisplay HY-240128B-202 mit LED-Hintergrundbeleuchtung zur Anzeige von Grafiken, Bildern, Kurven, Spektrum mit einer Auflösung von 240x128 Pixel, Daten-Input 8-Bit parallel, Spannungsversorgung VDD +5V, Hintergrundbeleuchtung mit LED. Controller ist der bekannte T6963 von Toshiba. Maße Display 144x104x12,5 mm. Sichtfläche 114x64mm.



#### ELECTRICAL CHARACTERISTICS

Item	Symbol	Test Condition	Min.	Typ.	Max.	Unit
Operating Voltage	Vdd	Ta=25° C	---	5.0	---	V
Operating Voltage for LCD	Vlcd	Ta=25° C	---	13.0	---	V
Supply Current	Idd	Ta=25° C, Vdd=5.0V	---	15.0	20.0	mA
Supply Current for Backlight(LED)	If	Ta=25° C, Vf=4.2V	---	220	---	mA

#### INTERFACE PIN CONNECTIONS

Pin No	Symbol	Level	Description	Pin No	Symbol	Level	Description
1	VSS	--	Ground for logic	1'	FRM	H	Synchronous frame signal
2	VDD	--	Power supply for logic( +5.0V)	2'	CL2	H→L	Data shift clock
3	V0	--	Supply power for LCD drive	3'	CL1	H→L	Data latch clock
4	C/D	H/L	Data or Instruction select signal	4'	M	H/L	Alternated signal for LCD driver
5	/RD	--	Read signal	5'	VDD	--	Supply power for the logic( +5.0V)
6	/WR	--	Write signal	6'	VSS	--	Ground for logic
7-14	DB0-DB7	H/L	Data bus lines	7'	VEE	--	Negative Voltage Output
15	/CE	L	Chip enable signal	8'-11'	DB0-DB3	H/L	Data Bus lines
16	/RST	L	Reset signal	12'	V0	--	Supply power for LCD drive
17	VEE	--	Negative Voltage Output	13'	LEDA	--	Power supply for backlight( + )
18	FS	H/L	Font selection terminal	14'	LEDK	--	Power supply for backlight(-)
19	LEDA	--	Power supply for backlight(+)	--	--	--	--
20	LEDK	--	Power supply for backlight(-)	--	--	--	--