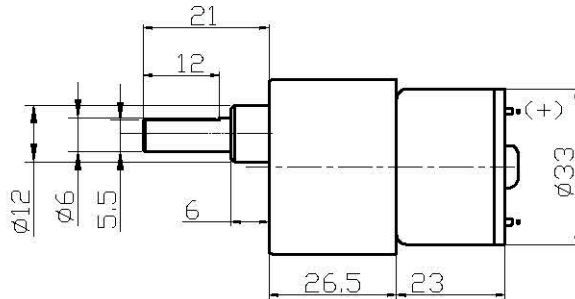
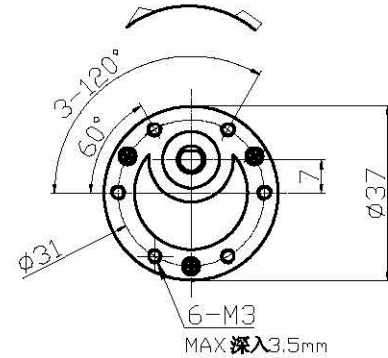


Model	PGM-37DC12/21	Voltage	12V	No.	N8730	Date	2011. 07. 01
-------	---------------	---------	-----	-----	-------	------	--------------

Dimension



DIRECTION OF ROTATION



1. Normal operating conditions:

- 1.1 Rated voltage: 6~12V
- 1.2 Ambient temperature: -10~+60°C
- 1.3 Rotate direction: CCW
Positive pole connect "+"
Negative pole connect "-"
Facing the output shaft axis

2. Test conditions:

- 2.1 Voltage: DC 12V
- 2.2 Ambient temperature: 28°C
- 2.3 Ambient humidity: 78%RH
- 2.4 The tested sample is set level

3. Electrical features (After 30 seconds electrify)

- 3.1 No-load
 - 3.1.1 No-load speed: 20.2 ± 10% rpm
 - 3.1.2 No-load current: 0.024A (0.048A max)
- 3.2 Load
 - 3.2.1 Load torque: 1.5kg.cm
 - 3.2.2 Load current: 0.052A (0.078A max)
 - 3.2.3 Load speed: 16.6 ± 10% rpm
 - 3.2.4 Stall current: 0.213A
 - 3.2.5 Stall torque: 8.4kg.cm

4. Mechanical characteristics

- 4.1 Axial play of shaft: ≤ 0.5mm

5. Motor features

- 5.1 No-load Current: 0.015A
- 5.2 No-load Speed: 3300 ± 10% rpm

Characteristic Graph

