

# FC-280SC

**MABUCHI MOTOR**

Carbon-brush motors

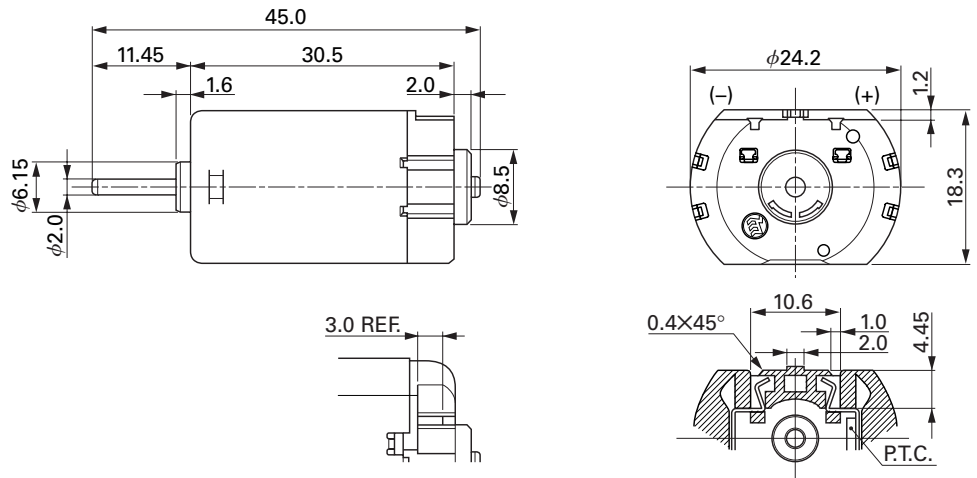
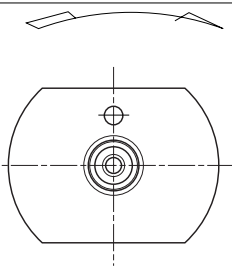
**OUTPUT : 0.1W~4.0W (APPROX)**

**WEIGHT : 38g (APPROX)**

**Typical Applications** Automotive Products : Retractable Rearview Mirror / Door Lock Actuator

MODEL	VOLTAGE		NO LOAD		AT MAXIMUM EFFICIENCY				STALL			
	OPERATING RANGE	NOMINAL	SPEED r/min	CURRENT A	SPEED r/min	CURRENT A	TORQUE mN-m	TORQUE g-cm	OUTPUT W	TORQUE mN-m	TORQUE g-cm	CURRENT A
FC-280SC-20150	8~15	12V CONSTANT	11800	0.081	10310	0.56	4.14	42.2	4.47	32.9	335	3.90
FC-280SC-18180	8~15	12V CONSTANT	9700	0.16	7880	0.69	5.33	54.3	4.39	28.4	290	3.00
FC-280SC-16200	9~14	12V CONSTANT	8700	0.060	7420	0.35	3.40	34.6	2.63	23.0	234	2.00

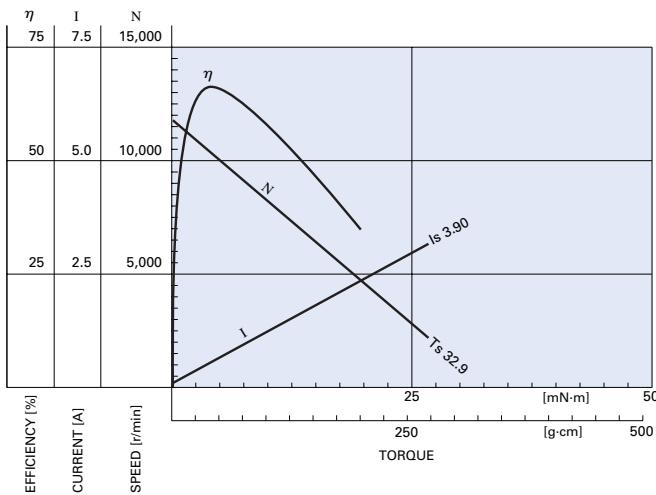
## DIRECTION OF ROTATION



UNIT: MILLIMETERS

## FC-280SC-20150

12.0V



## FC-280SC-18180

12.0V

