

FF-180PH/SH

MABUCHI MOTOR

Precious metal-brush motors

OUTPUT : 0.05W~5.6W (APPROX)

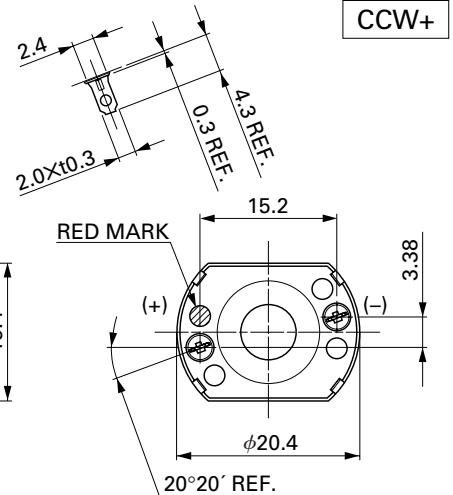
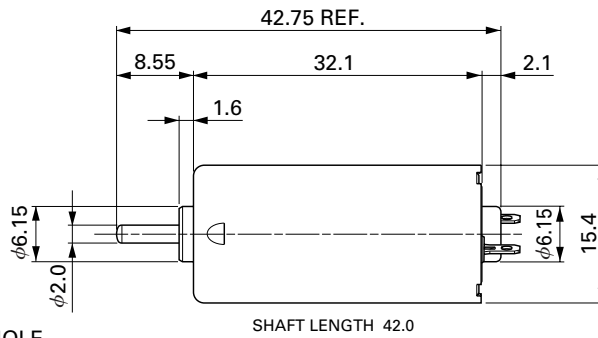
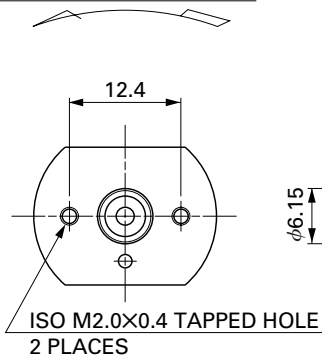
WEIGHT : 32g (APPROX)

Typical Applications Home Appliances : Electric Shaver / Tooth Brush

MODEL	VOLTAGE		NO LOAD		AT MAXIMUM EFFICIENCY				STALL			
	OPERATING RANGE	NOMINAL	SPEED r/min	CURRENT A	SPEED r/min	CURRENT A	TORQUE mN·m	TORQUE g·cm	OUTPUT W	TORQUE mN·m	TORQUE g·cm	CURRENT A
FF-180PH-2852 (*)	1~3	2.4V CONSTANT	8100	0.15	6850	0.82	1.82	18.6	1.30	11.8	120	4.50
FF-180PH-4022 (*)	1.0~1.5	1.2V CONSTANT	9400	0.40	7830	1.99	1.76	17.9	1.44	10.5	107	9.90
FF-180SH-2657 (*)	1~3	2.4V CONSTANT	7700	0.13	6500	0.70	1.64	16.7	1.11	10.5	107	3.80
FF-180SH-4026 (*)	1.0~1.5	1.2V CONSTANT	8300	0.30	6990	1.60	1.64	16.7	1.20	10.4	106	8.55

(*) CCW shifted commutation (CCW+)

DIRECTION OF ROTATION

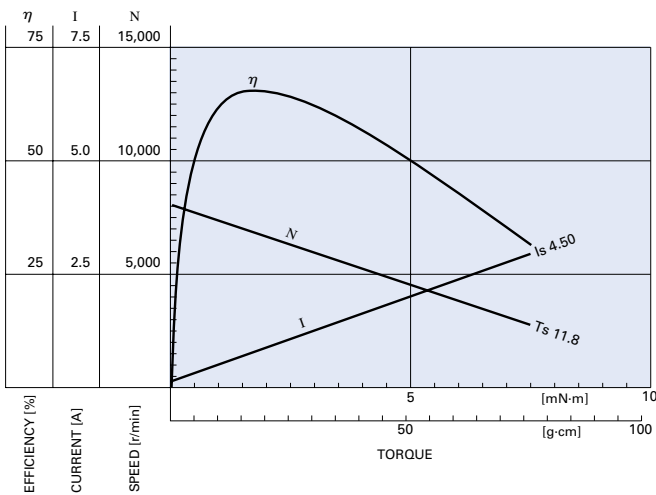


Usable machine screw length 2.0 max. from motor mounting surface.

UNIT: MILLIMETERS

FF-180PH-2852

2.4V



FF-180SH-2657

2.4V

