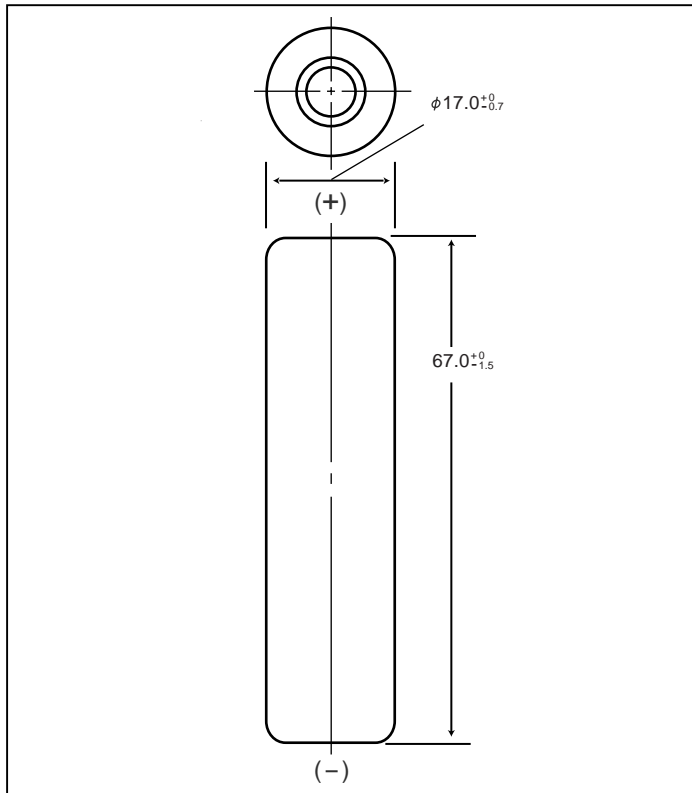


INDIVIDUAL DATA SHEETS

P-120AH (L-A) size Type: H

Dimensions (with tube) (mm)



	mm	inch
Diameter	17.0 +0/-0.7	0.67 +0/-0.03
Height	67.0 +0/-1.5	2.64 +0/-0.06
Approximate Weight	Grams	Ounces
	43g	1.52

Specifications

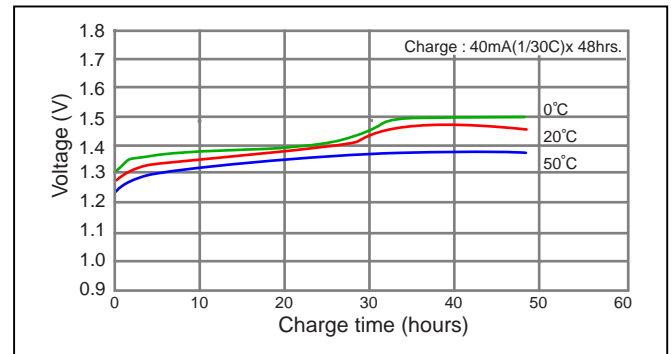
Nominal voltage		1.2V	
0.2C Discharge Capacity *	Typical **	1260mAh	
	Minimum	1100mAh	
Approx. Internal impedance at 1000Hz at charged state.		10m Ω	
Charge	Standard	120mA (1/10C) x 15h	
	Trickle	Max current	60mA (1/20C) x 30h and over
		Min current	40mA (1/30C) x 48h and over
Ambient Temperature	Charge	°C	°F
		0°C to 50°C	32°F to 122°F
	Discharge	-20°C to 65°C	-4°F to 149°F
		Storage	< 2 years
< 6 months	-20°C to 45°C -4°F to 113°F		

* After charging at 0.1C for 16 hours.

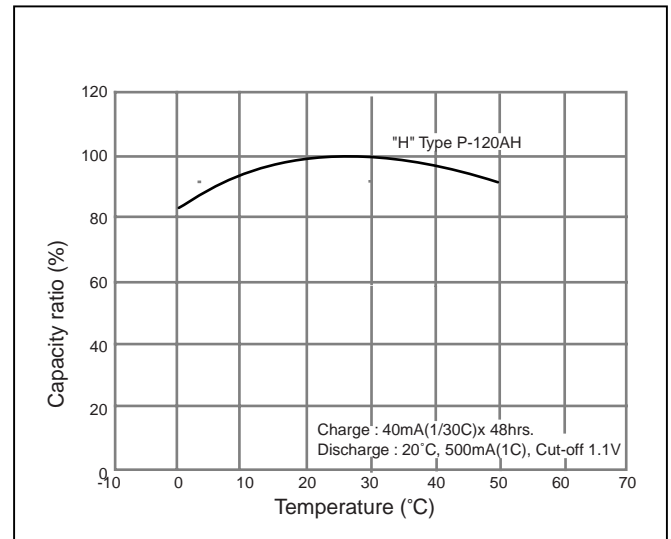
** Average capacity. For reference only.

Battery performance and cycle life are strongly affected by how they are used. In order to maximize battery safety, please consult Panasonic when determining charge / discharge specs, warning label contents and unit design.

Typical charge characteristics



Trickle charge characteristics



Typical discharge characteristics

