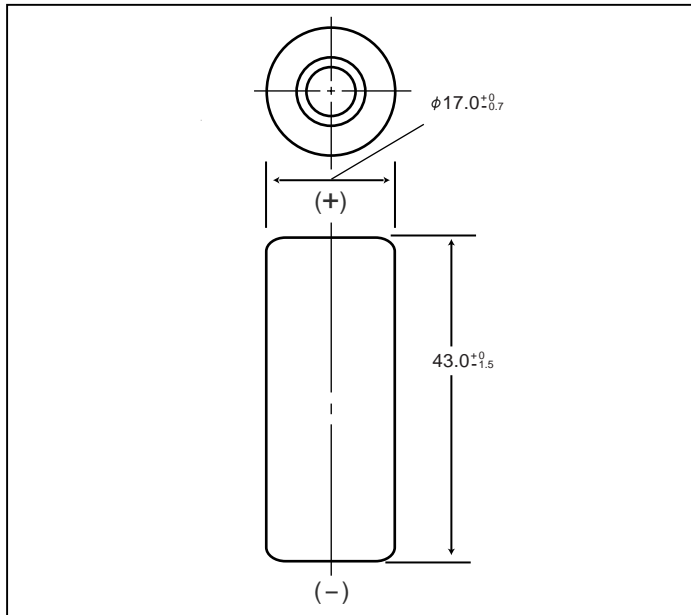


## P-130ASJ 4/5A size (KR17/43) Type: S

Dimensions (with tube) (mm)



	mm	inch
<b>Diameter</b>	17.0 +0/-0.7	0.67 +0/-0.03
<b>Height</b>	43.0 +0/-1.5	1.69 +0/-0.06
<b>Approximate Weight</b>	<b>Grams</b>	<b>Ounces</b>
	26.5g	0.93

### Specifications

<b>Nominal voltage</b>		1.2V		
<b>0.2C Discharge Capacity *</b>	<b>Typical **</b>	1420mAh		
	<b>Minimum</b>	1300mAh		
<b>Approx. Internal impedance at 1000Hz at charged state.</b>		16m Ω		
<b>Charge</b>	<b>Standard</b>	130mA (1/10C)x 15h		
	<b>Rapid ***</b>	1300mA (1C) x 1.5hrs.		
<b>Ambient Temperature</b>	<b>Charge</b>	<b>Standard</b>	°C	°F
			0°C to 45°C	32°F to 113°F
	<b>Rapid</b>	10°C to 40°C	50°F to 104°F	
	<b>Discharge</b>	-20°C to 65°C	-4°F to 149°F	
<b>Storage</b>	<b>&lt; 2 years</b>	-20°C to 35°C	-4°F to 95°F	
	<b>&lt; 6 months</b>	-20°C to 45°C	-4°F to 113°F	

\* After charging at 0.1C for 16 hours.

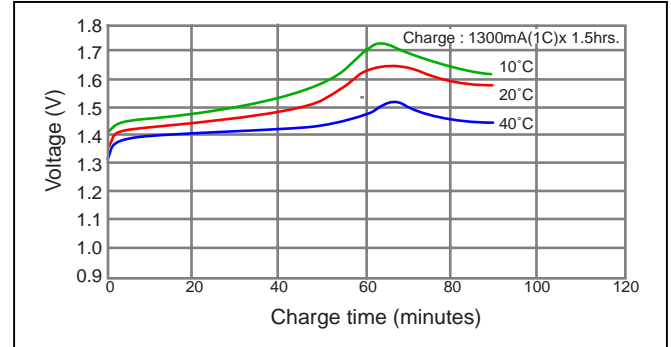
\*\* Average capacity. For reference only.

Battery performance and cycle life are strongly affected by how they are used. In order to maximize battery safety, please consult Panasonic when determining charge / discharge specs, warning label contents and unit design.

\*\*\* Refer to "Charge methods for Ni-Cd batteries" (pg 11)

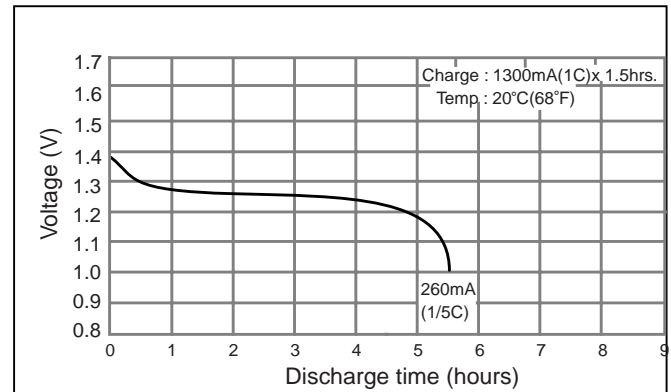
### Typical charge characteristics

At 1C rate



### Typical discharge characteristics

At lower rate



At higher rate

