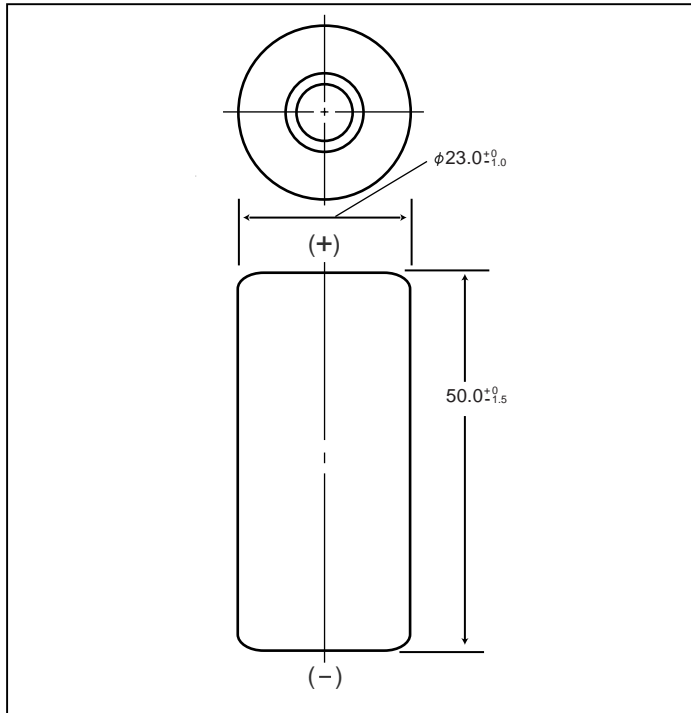


INDIVIDUAL DATA SHEETS

P-230SCS L-SC size Type: S

Dimensions (with tube) (mm)



	mm	inch
Diameter	23.0 $+0/-1.0$	0.91 $+0/-0.04$
Height	50.0 $+0/-1.5$	1.97 $+0/-0.06$
Approximate Weight	Grams	Ounces
	57g	2.01

Specifications

Nominal voltage		1.2V		
0.2C Discharge Capacity *	Typical **	2490mAh		
	Minimum	2300mAh		
Approx. Internal impedance at 1000Hz at charged state.		14m Ω		
Charge	Standard	230mA (1/10C)x 15h		
	Rapid ***	2300mA (1C)		
Ambient Temperature	Charge	Standard	$^{\circ}\text{C}$	$^{\circ}\text{F}$
			0 $^{\circ}\text{C}$ to 45 $^{\circ}\text{C}$	32 $^{\circ}\text{F}$ to 113 $^{\circ}\text{F}$
	Discharge	Rapid	10 $^{\circ}\text{C}$ to 40 $^{\circ}\text{C}$	50 $^{\circ}\text{F}$ to 104 $^{\circ}\text{F}$
			-20 $^{\circ}\text{C}$ to 65 $^{\circ}\text{C}$	-4 $^{\circ}\text{F}$ to 149 $^{\circ}\text{F}$
Storage	< 2 years	-20 $^{\circ}\text{C}$ to 35 $^{\circ}\text{C}$	-4 $^{\circ}\text{F}$ to 95 $^{\circ}\text{F}$	
	< 6 months	-20 $^{\circ}\text{C}$ to 45 $^{\circ}\text{C}$	-4 $^{\circ}\text{F}$ to 113 $^{\circ}\text{F}$	

* After charging at 0.1C for 16 hours.

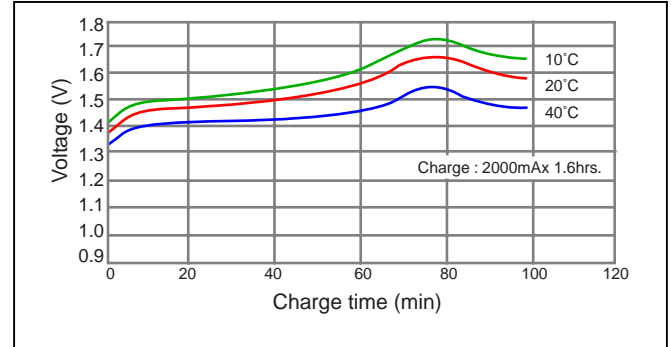
** Average capacity. For reference only.

Battery performance and cycle life are strongly affected by how they are used. In order to maximize battery safety, please consult Panasonic when determining charge / discharge specs, warning label contents and unit design.

*** Refer to "Charge methods for Ni-Cd batteries" (pg 11)

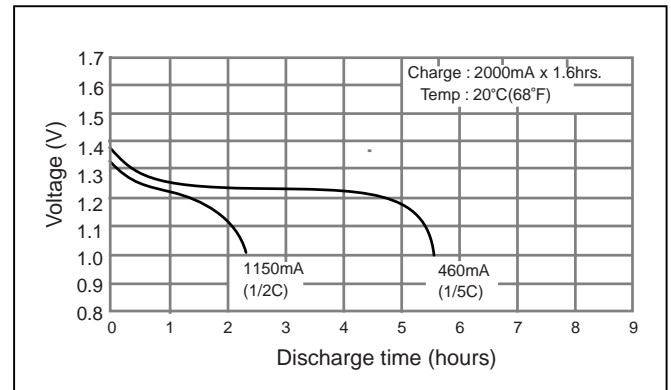
Typical charge characteristics

At lower rate



Typical discharge characteristics

At lower rate



At higher rate

