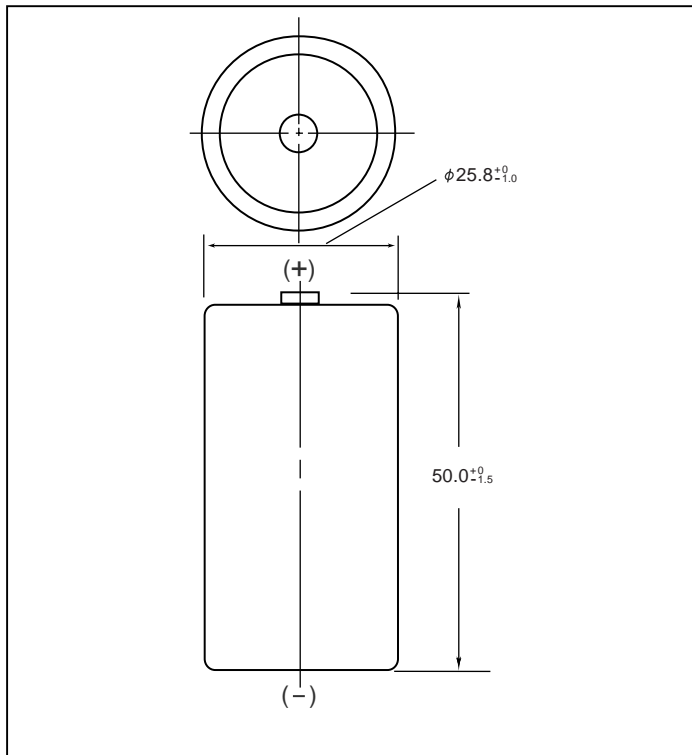


INDIVIDUAL DATA SHEETS

P-240C C size (KR26/50) Type: N

Dimensions (with tube) (mm)



	mm	inch
Diameter	25.8 $+0/-1.0$	1.02 $+0/-0.04$
Height	50.0 $+0/-1.5$	1.97 $+0/-0.06$
Approximate Weight	Grams	Ounces
	75g	2.65

Specifications

Nominal voltage		1.2V		
0.2C Discharge Capacity *	Typical **	2800mAh		
	Minimum	2400mAh		
Approx. Internal impedance at 1000Hz at charged state.		5m Ω		
Charge	Standard	240mA (1/10C) x 15h		
	Short time	800mA x 4.5h		
	Trickle	Max current	120mA (1/20C) x 30h and over	
		Min current	80mA (1/30C) x 45h and over	
Ambient Temperature	Charge	Standard	$^{\circ}\text{C}$	$^{\circ}\text{F}$
			0 $^{\circ}\text{C}$ to 45 $^{\circ}\text{C}$	32 $^{\circ}\text{F}$ to 113 $^{\circ}\text{F}$
	Discharge	Short time	10 $^{\circ}\text{C}$ to 45 $^{\circ}\text{C}$	50 $^{\circ}\text{F}$ to 113 $^{\circ}\text{F}$
			-20 $^{\circ}\text{C}$ to 65 $^{\circ}\text{C}$	-4 $^{\circ}\text{F}$ to 149 $^{\circ}\text{F}$
	Storage	< 2 years	-20 $^{\circ}\text{C}$ to 35 $^{\circ}\text{C}$	-4 $^{\circ}\text{F}$ to 95 $^{\circ}\text{F}$
			< 6 months	-20 $^{\circ}\text{C}$ to 45 $^{\circ}\text{C}$

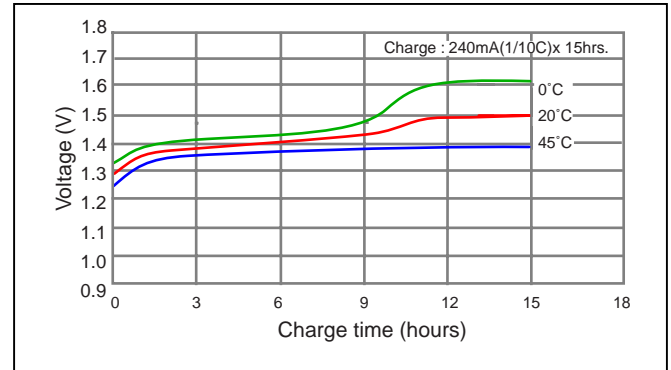
* After charging at 0.1C for 16 hours.

** Average capacity. For reference only.

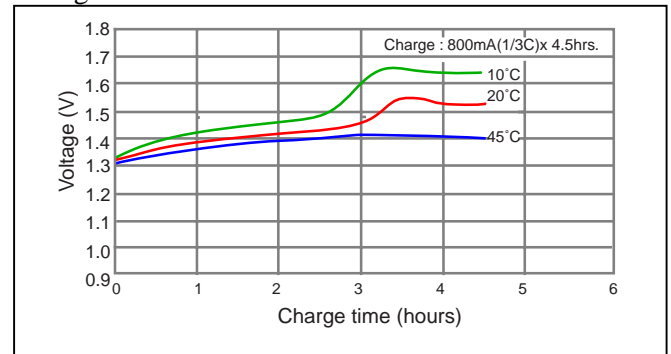
Battery performance and cycle life are strongly affected by how they are used. In order to maximize battery safety, please consult Panasonic when determining charge / discharge specs, warning label contents and unit design.

Typical charge characteristics

At lower rate



At higher rate



Typical discharge characteristics

