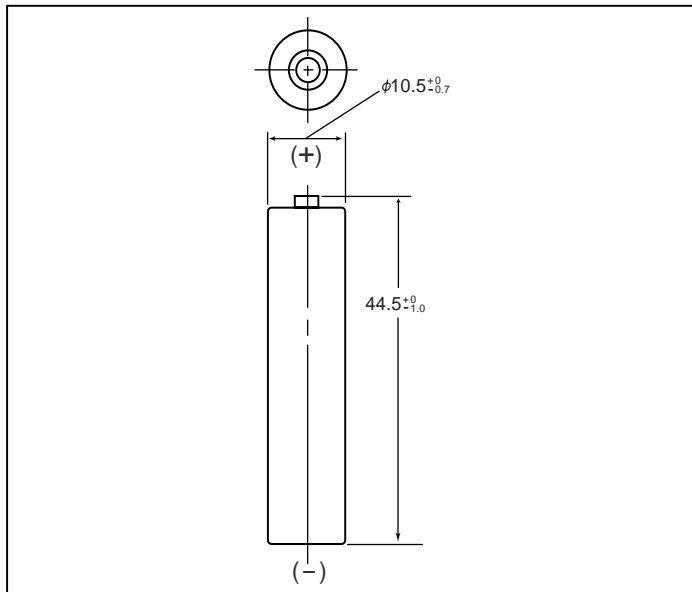


# INDIVIDUAL DATA SHEETS

## P-25AAA AAA size (KR11/45) Type: N

Dimensions (with tube) (mm)



	mm	inch
<b>Diameter</b>	10.5 $+0/-0.7$	0.41 $+0/-0.03$
<b>Height</b>	44.5 $+0/-1.0$	1.75 $+0/-0.04$
<b>Approximate Weight</b>	<b>Grams</b>	<b>Ounces</b>
	10g	0.35

### Specifications

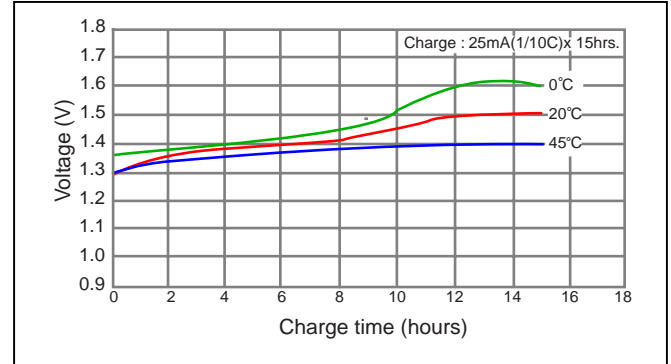
<b>Nominal voltage</b>		1.2V		
<b>0.2C Discharge Capacity *</b>	<b>Typical **</b>	290mAh		
	<b>Minimum</b>	250mAh		
<b>Approx. Internal impedance at 1000Hz at charged state.</b>		19m $\Omega$		
<b>Charge</b>	<b>Standard</b>	25mA (1/10C)x 15h		
	<b>Short time</b>	83mA (1/3C) x 4.5hrs.		
	<b>Trickle</b>	<b>Max current</b>	13mA (1/20C)x 30h and over	
		<b>Min current</b>	8mA (1/30C)x 45h and over	
<b>Ambient Temperature</b>	<b>Charge</b>	<b>Standard</b>	<b>°C</b>	<b>°F</b>
			0°C to 45°C	32°F to 113°F
		<b>Short time</b>	10°C to 45°C	50°F to 113°F
	<b>Discharge</b>		-20°C to 65°C	-4°F to 149°F
		<b>Storage</b>	<b>&lt; 2 years</b>	-20°C to 35°C
	<b>&lt; 6 months</b>		-20°C to 45°C	-4°F to 113°F

\* After charging at 0.1C for 16 hours.

\*\* Average capacity. For reference only.

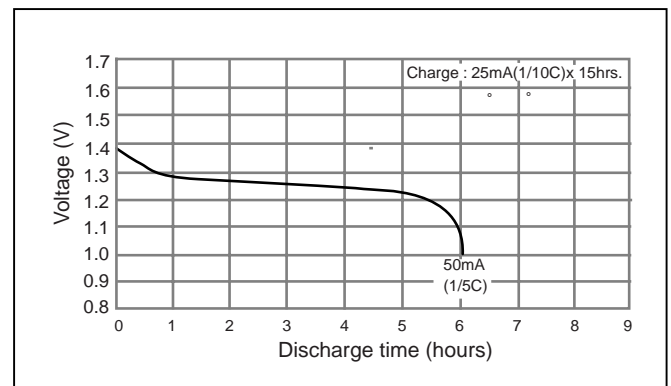
Battery performance and cycle life are strongly affected by how they are used. In order to maximize battery safety, please consult Panasonic when determining charge / discharge specs, warning label contents and unit design.

### Typical charge characteristics



### Typical discharge characteristics

At lower rate



At higher rate

