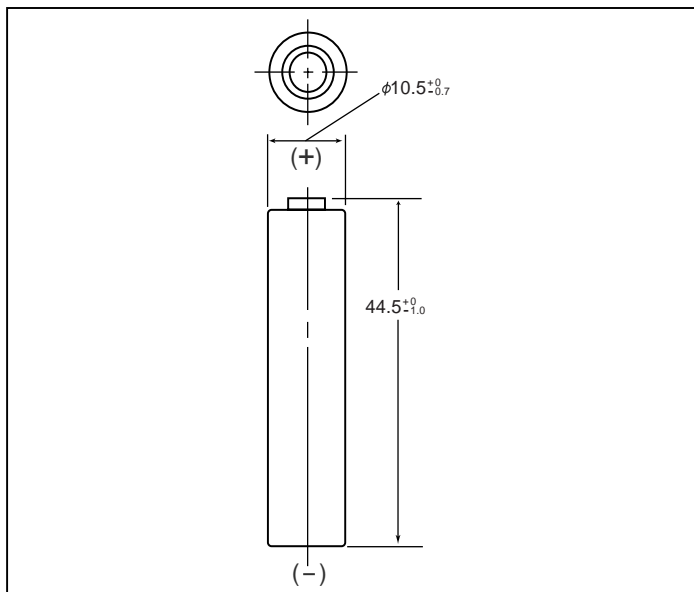


P-25AAR/FT AAA size (KR11/45) Type: R

Dimensions (with tube) (mm)



	mm	inch
Diameter	10.5 +0/-0.7	0.41 +0/-0.03
Height	44.5 +0/-1.0	1.75 +0/-0.04
Approximate Weight	Grams	Ounces
	10g	0.35

Specifications

Nominal voltage		1.2V	
0.2C Discharge Capacity *	Typical **	290mAh	
	Minimum	250mAh	
Approx. Internal impedance at 1000Hz at charged state.		19m Ω	
Charge	Standard	25mA (1/10C) x 15h	
	Rapid ***	250mA (1C) x 1.5hrs.	
Ambient Temperature	Charge	Standard	°C
			°F
	Discharge	0°C to 45°C	32°F to 113°F
		10°C to 45°C	50°F to 113°F
Storage	< 2 years	-20°C to 35°C	-4°F to 95°F
	< 6 months	-20°C to 45°C	-4°F to 113°F

* After charging at 0.1C for 16 hours.

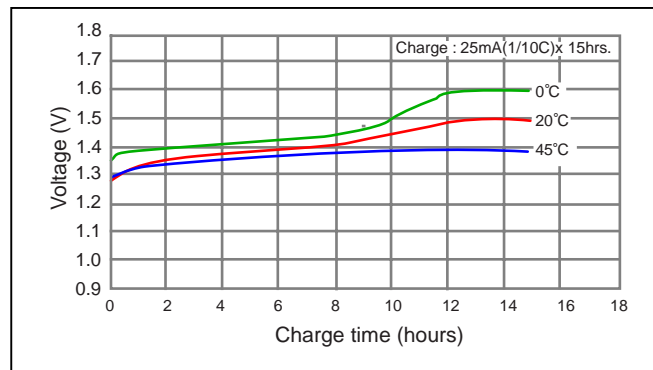
** Average capacity. For reference only.

Battery performance and cycle life are strongly affected by how they are used. In order to maximize battery safety, please consult Panasonic when determining charge / discharge specs, warning label contents and unit design.

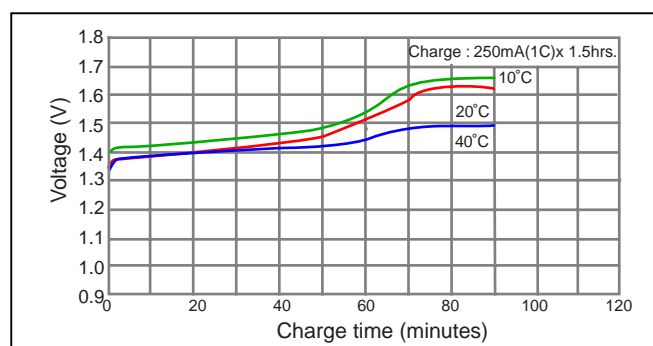
*** Refer to "Charge methods for Ni-Cd batteries" (pg 11)

Typical charge characteristics

At lower rate

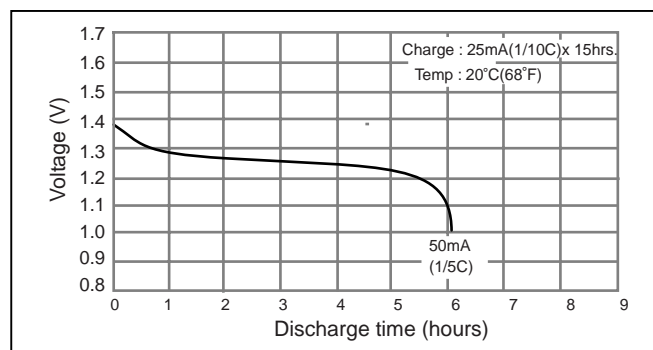


At higher rate



Typical discharge characteristics

At lower rate



At higher rate

