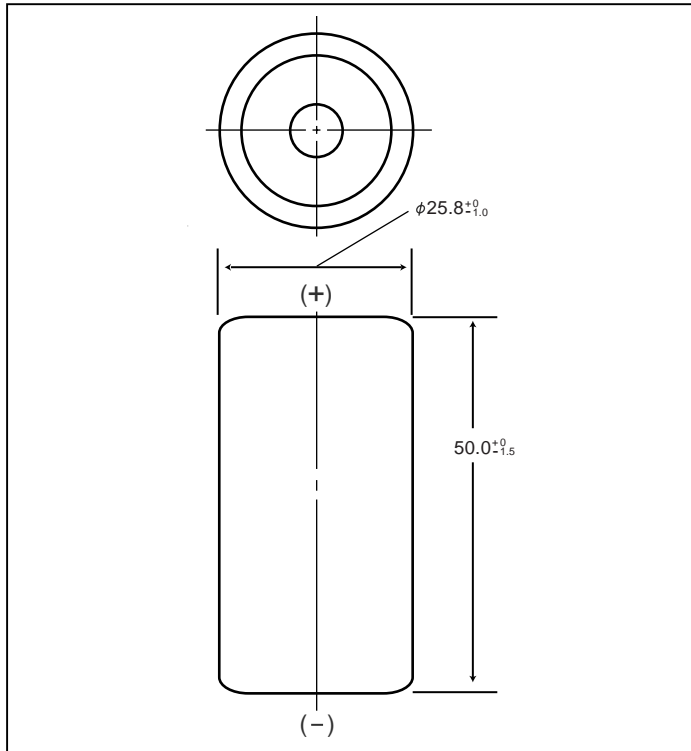


# INDIVIDUAL DATA SHEETS

## P-280CR C size (KR26/50) Type: R

Dimensions (with tube) (mm)



	mm	inch
<b>Diameter</b>	25.8 +0/-1.0	1.02 +0/-0.04
<b>Height</b>	50.0 +0/-1.5	1.97 +0/-0.06
<b>Approximate Weight</b>	<b>Grams</b>	<b>Ounces</b>
	79g	2.79

### Specifications

<b>Nominal voltage</b>		1.2V		
<b>0.2C Discharge Capacity *</b>	<b>Typical **</b>	3050mAh		
	<b>Minimum</b>	2800mAh		
<b>Approx. Internal impedance at 1000Hz at charged state.</b>		4m Ω		
<b>Charge</b>	<b>Standard</b>	280mA (1/10C)x 15h		
	<b>Rapid ***</b>	2800mA (1C)		
<b>Ambient Temperature</b>	<b>Charge</b>	<b>Standard</b>	<b>°C</b>	
			<b>°F</b>	
		<b>Standard</b>	0°C to 45°C	32°F to 113°F
		<b>Rapid</b>	10°C to 40°C	50°F to 104°F
	<b>Discharge</b>	-20°C to 65°C -4°F to 149°F		
<b>Storage</b>	<b>&lt; 2 years</b>	-20°C to 35°C	-4°F to 95°F	
	<b>&lt; 6 months</b>	-20°C to 45°C	-4°F to 113°F	

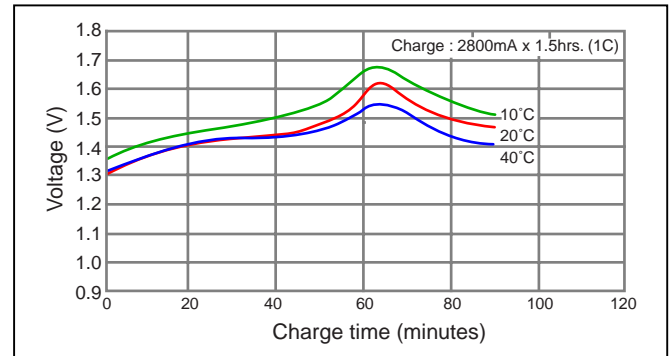
\* After charging at 0.1C for 16 hours.

\*\* Average capacity. For reference only.

Battery performance and cycle life are strongly affected by how they are used. In order to maximize battery safety, please consult Panasonic when determining charge / discharge specs, warning label contents and unit design.

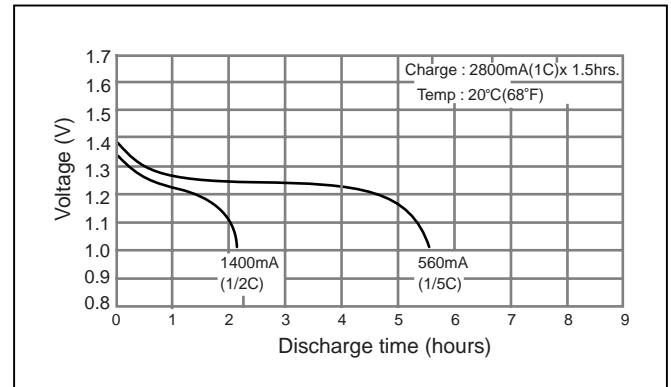
\*\*\* Refer to "Charge methods for Ni-Cd batteries" (pg 11)

### Typical charge characteristics



### Typical discharge characteristics

At lower rate



At higher rate

