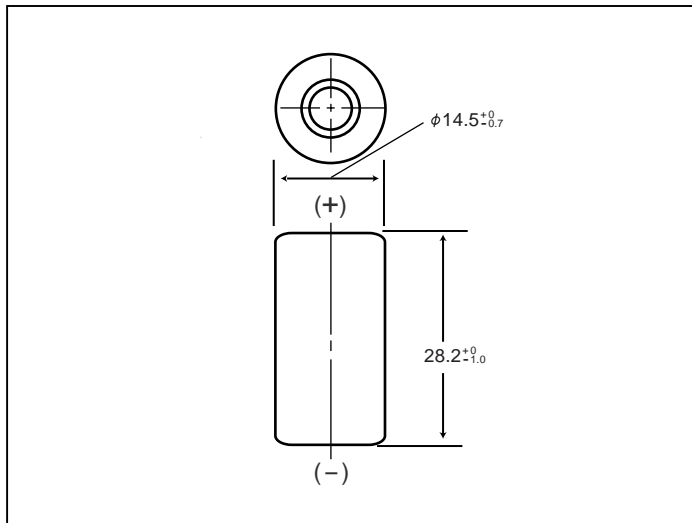


## P-30AAR/FT (2/3AA) size Type: R

Dimensions (with tube) (mm)



	mm	inch
<b>Diameter</b>	14.5 +0/-0.7	0.57 +0/-0.03
<b>Height</b>	28.2 +0/-1.0	1.11 +0/-0.04
<b>Approximate Weight</b>	<b>Grams</b>	<b>Ounces</b>
	12g	0.42

### Specifications

<b>Nominal voltage</b>		1.2V		
<b>0.2C Discharge Capacity *</b>	<b>Typical **</b>	320mAh		
	<b>Minimum</b>	300mAh		
<b>Approx. Internal impedance at 1000Hz at charged state.</b>		20m Ω		
<b>Charge</b>	<b>Standard</b>	30mA (1/10C) x 15h		
	<b>Rapid ***</b>	300mA (1C) x 1.5hrs.		
<b>Ambient Temperature</b>	<b>Charge</b>	<b>Standard</b>	<b>°C</b>	
		<b>Rapid</b>	<b>°F</b>	
	<b>Discharge</b>		0°C to 45°C	32°F to 113°F
	<b>Storage</b>		10°C to 40°C	50°F to 104°F
<b>Discharge</b>		-20°C to 65°C	-4°F to 149°F	
<b>Storage</b>		< 2 years	-20°C to 35°C	-4°F to 95°F
		< 6 months	-20°C to 45°C	-4°F to 113°F

\* After charging at 0.1C for 16 hours.

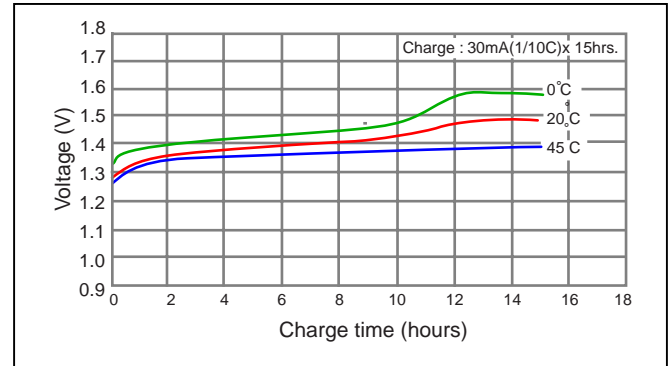
\*\* Average capacity. For reference only.

Battery performance and cycle life are strongly affected by how they are used. In order to maximize battery safety, please consult Panasonic when determining charge / discharge specs, warning label contents and unit design.

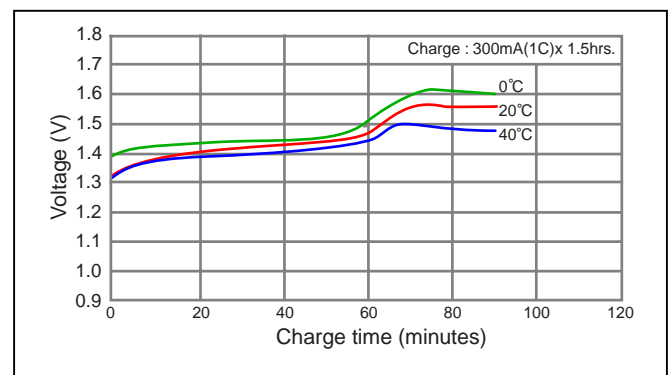
\*\*\* Refer to "Charge methods for Ni-Cd batteries" (pg 11)

### Typical charge characteristics

At lower rate

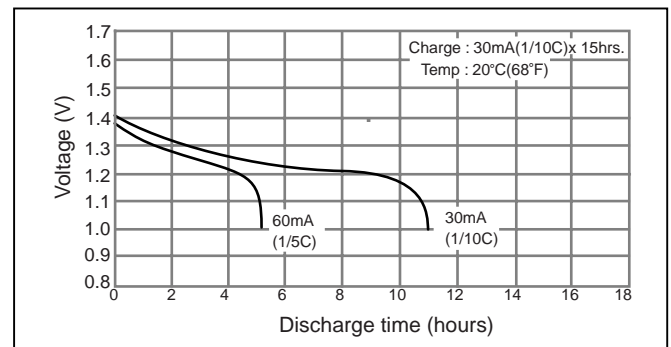


At higher rate



### Typical discharge characteristics

At lower rate



At higher rate

