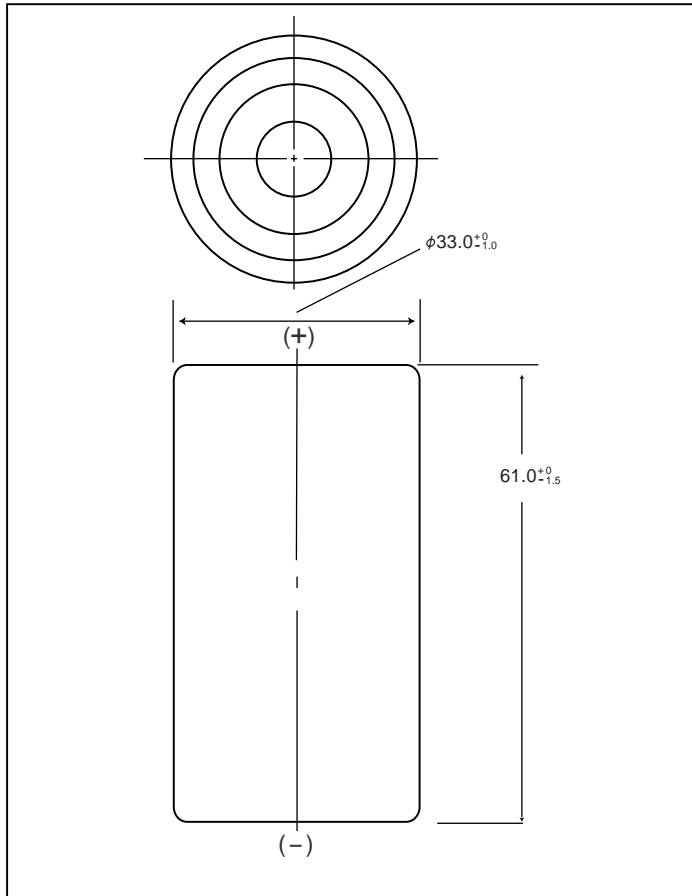


INDIVIDUAL DATA SHEETS

P-500DR D size (KR33/62) Type: R

Dimensions (with tube) (mm)



	mm	inch
Diameter	33.0 +0/-1.0	1.30 +0/-0.04
Height	61.0 +0/-1.5	2.40 +0/-0.06
Approximate Weight	Grams	Ounces
	145	5.10

Specifications

Nominal voltage		1.2V	
0.2C Discharge Capacity *	Typical **	5700mAh	
	Minimum	5000mAh	
Approx. Internal impedance at 1000Hz at charged state.		5m Ω	
Charge	Standard	500mA (1/10C)x 15h	
	Rapid ***	5000mA (1C)	
Ambient Temperature	Charge	Standard	°C
		0°C to 45°C	32°F to 113°F
	Rapid	10°C to 45°C	50°F to 113°F
	Discharge	-20°C to 65°C	-4°F to 149°F
Storage	< 2 years	-20°C to 35°C	-4°F to 95°F
	< 6 months	-20°C to 45°C	-4°F to 113°F

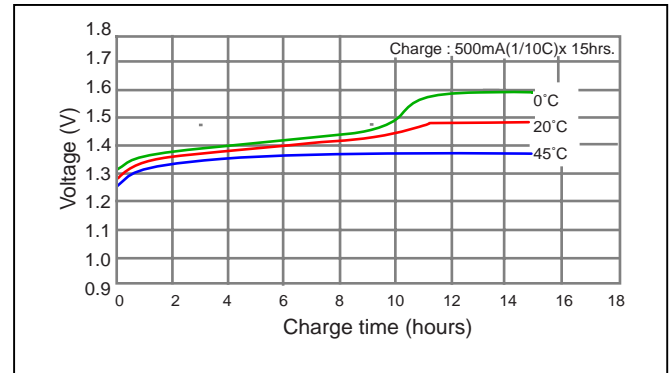
* After charging at 0.1C for 16 hours.

** Average capacity. For reference only. Battery performance and cycle life are strongly affected by how they are used. In order to maximize battery safety, please consult Panasonic when determining charge / discharge specs, warning label contents and unit design.

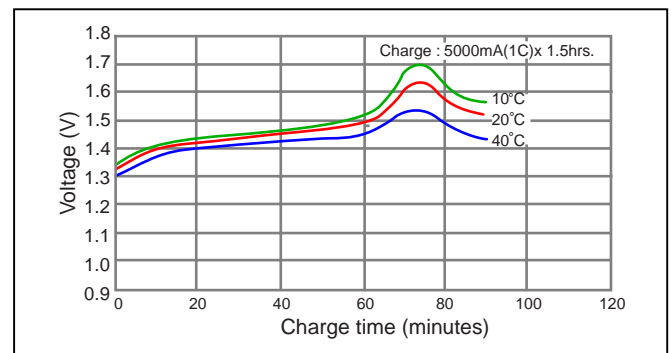
*** Refer to "Charge methods for Ni-Cd batteries" (pg 11)

Typical charge characteristics

At lower rate

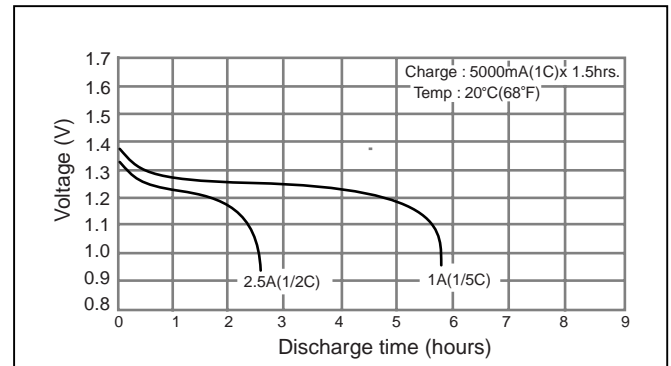


At higher rate



Typical discharge characteristics

At lower rate



At higher rate

