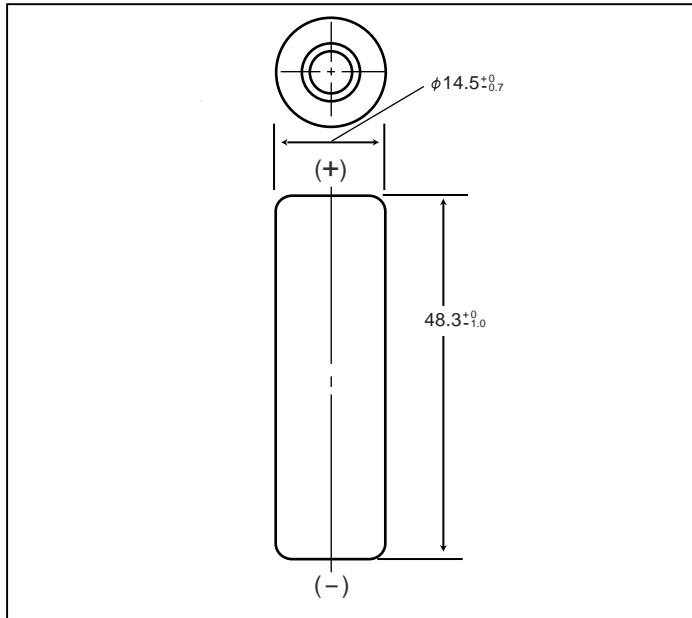


P-60AAR/FT (AA) size Type: R

Dimensions (with tube) (mm)



| | mm | inch |
|---------------------------|--------------|---------------|
| Diameter | 14.5 +0/-0.7 | 0.57 +0/-0.03 |
| Height | 48.3 +0/-1.0 | 1.90 +0/-0.04 |
| Approximate Weight | Grams | Ounces |
| | 21g | 0.74 |

Specifications

| | | | | |
|---|---------------------|----------------------|---------------|---------------|
| Nominal voltage | | 1.2V | | |
| 0.2C Discharge Capacity * | Typical ** | 640mAh | | |
| | Minimum | 600mAh | | |
| Approx. Internal impedance at 1000Hz at charged state. | | 12m Ω | | |
| Charge | Standard | 60mA (1/10C)x 15h | | |
| | Rapid *** | 600mA (1C) x 1.5hrs. | | |
| Ambient Temperature | Charge | Standard | °C | °F |
| | | | 0°C to 45°C | 32°F to 113°F |
| | Discharge | Rapid | 10°C to 40°C | 50°F to 104°F |
| | | | -20°C to 65°C | -4°F to 149°F |
| Storage | < 2 years | -20°C to 35°C | -4°F to 95°F | |
| | | < 6 months | -20°C to 45°C | -4°F to 113°F |

* After charging at 0.1C for 16 hours.

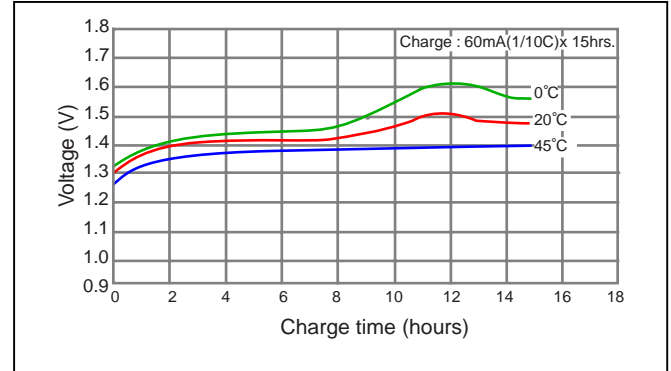
** Average capacity. For reference only.

Battery performance and cycle life are strongly affected by how they are used. In order to maximize battery safety, please consult Panasonic when determining charge / discharge specs, warning label contents and unit design.

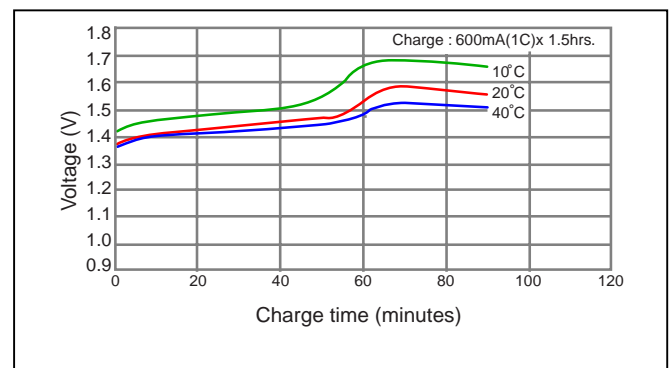
*** Refer to "Charge methods for Ni-Cd batteries" (pg 11)

Typical charge characteristics

At lower rate

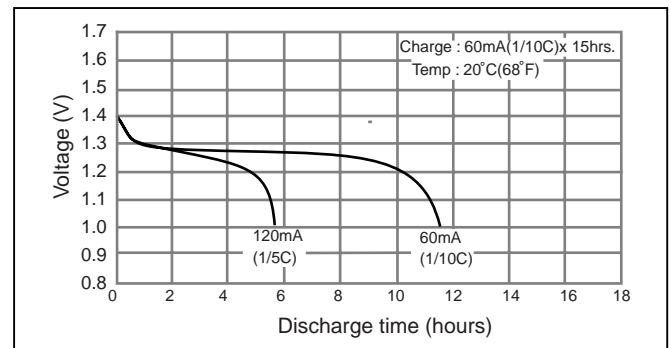


At higher rate



Typical discharge characteristics

At lower rate



At higher rate

