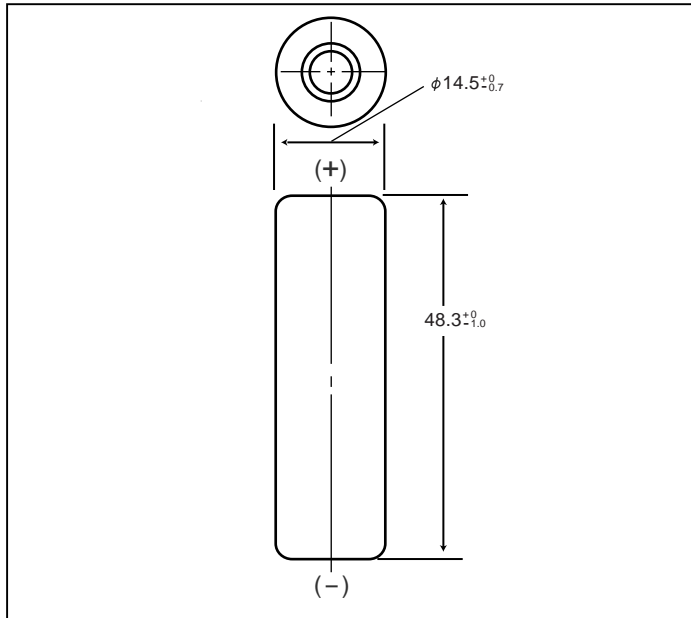


## P-70AARC/FT (AA) size Type: R

Dimensions (with tube) (mm)



	mm	inch
<b>Diameter</b>	14.5 +0/-0.7	0.57 +0/-0.03
<b>Height</b>	48.3 +0/-1.0	1.90 +0/-0.04
<b>Approximate Weight</b>	<b>Grams</b>	<b>Ounces</b>
	22g	0.78

### Specifications

<b>Nominal voltage</b>		1.2V		
<b>0.2C Discharge Capacity *</b>	<b>Typical **</b>	740mAh		
	<b>Minimum</b>	700mAh		
<b>Approx. Internal impedance at 1000Hz at charged state.</b>		13m Ω		
<b>Charge</b>		<b>Standard</b>	70mA (1/10C)x 15h	
		<b>Rapid ***</b>	700mA (1C) x 1.5hrs.	
<b>Ambient Temperature</b>	<b>Charge</b>	<b>Standard</b>	°C	°F
			0°C to 45°C	32°F to 113°F
	<b>Discharge</b>	<b>Rapid</b>	10°C to 40°C	50°F to 104°F
			-20°C to 65°C	-4°F to 149°F
<b>Storage</b>	<b>&lt; 2 years</b>	-20°C to 35°C	-4°F to 95°F	
	<b>&lt; 6 months</b>	-20°C to 45°C	-4°F to 113°F	

\* After charging at 0.1C for 16 hours.

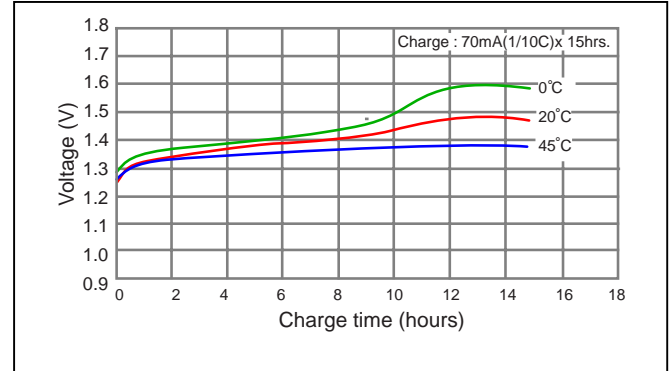
\*\* Average capacity. For reference only.

Battery performance and cycle life are strongly affected by how they are used. In order to maximize battery safety, please consult Panasonic when determining charge / discharge specs, warning label contents and unit design.

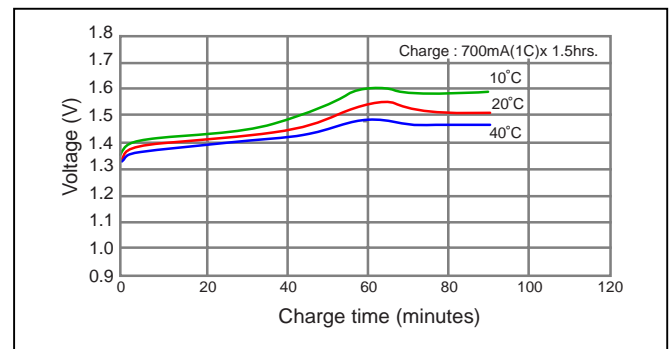
\*\*\* Refer to "Charge methods for Ni-Cd batteries" (pg 11)

### Typical charge characteristics

At lower rate

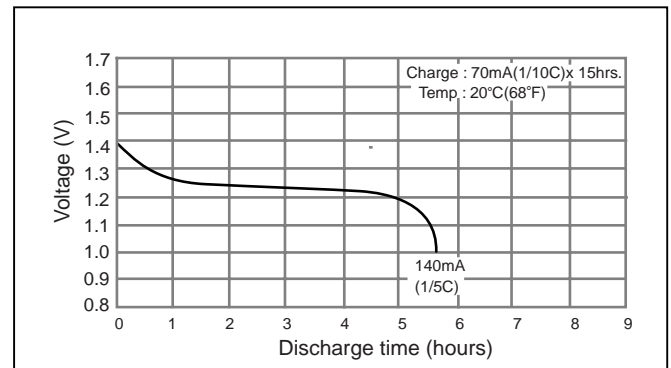


At higher rate



### Typical discharge characteristics

At lower rate



At higher rate

